

EFFECTIVE INTERCEPTOR PLATE OILY-WATER SEPARATOR

REMOVES FREE OIL (PARTICLES LARGER THAN 30-60 μm) AND TOTAL SUSPENDED SOLIDS (TSS) FROM OILY WASTEWATER

DS21's patented Effective Interceptor Plate (EIP) Oily-Water Separator, referred to as the new CPI type, is installed to remove free oil (particles larger than 30-60 μm) and total suspended solids (TSS) from wastewater. The EIP Pack is developed with industrial improvement requirements in mind.

PERFORMANCE

High Efficiency with more than 99% treatment efficiency (separated oil droplet size of 50 μm).

FEATURES



PRINCIPLE OF SEPARATION

Specific gravity difference



SEPARABLE OIL SIZE

50 μm



INSTALLATION TYPE

Tank and concrete basin



EFFICIENCY

99%



SEPARATING DEVICE

Effective Interceptor plate pack



OIL CONTENT IN TREATED WATER

5ppm



TREATMENT METHOD

An oil-water mixture is separated using pyramid-shaped plates that are stacked in multiple layers. These plates are arranged within an oil-water separation bath, allowing sludge to naturally accumulate and be discharged from the bottom of the bath



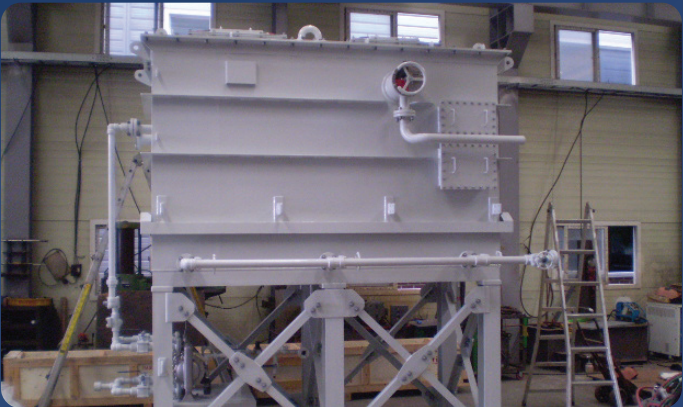
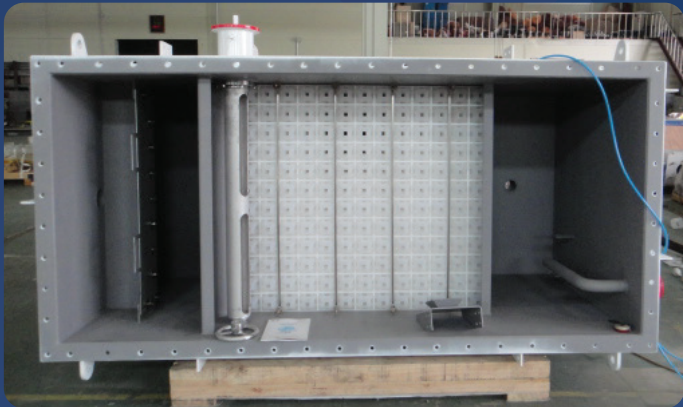
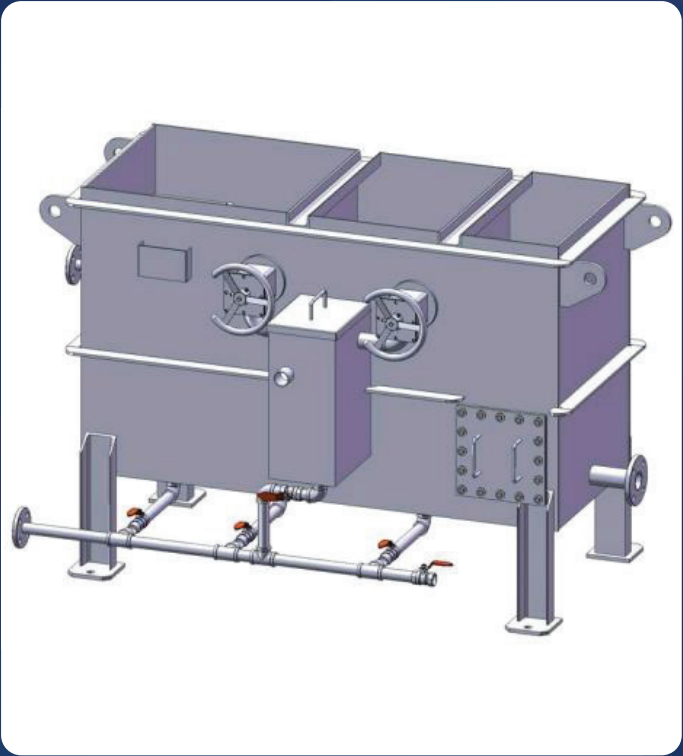
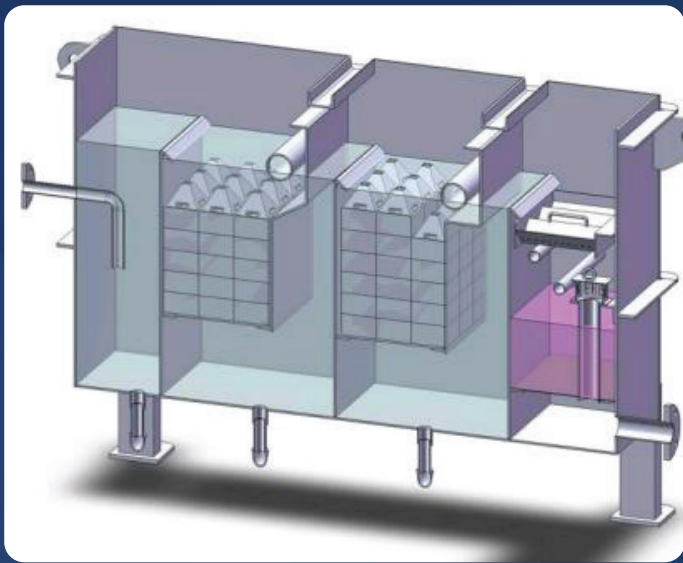
SLUDGE SETTLING

Settles smoothly without clogging the plate pack, as the flow direction of the oily water aligns with the direction of sludge sedimentation

APPLICATIONS

- + FIRST AND SECOND STAGE SEPARATORS FOR EXTRACTION SITES
- + BALLAST WATER AND SLOP OIL TREATMENT FACILITIES
- + OIL REFINERIES
- + LNG PLANTS
- + DOWN STREAM PLANTS
- + OFFSHORE OIL RIGS

EFFECTIVE INTERCEPTOR PLATE



OUR TEAM OF EXPERTS IS READY TO DEVELOP SOLUTIONS FOR YOUR PROJECT.

CONTACT US TO LEARN MORE